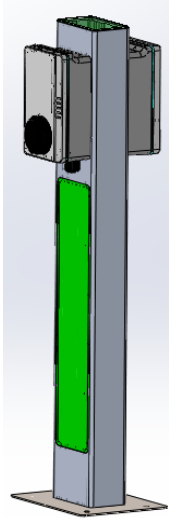


Pedestal Solutions

Update

Metal Pedestal

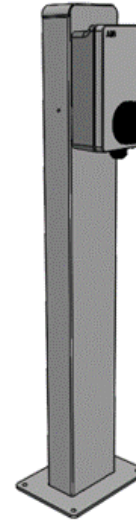
- High end product
 - Indoor and outdoor
 - 2 chargers back to back install
 - Power daisy chain
 - **DIN rail capability 5 DIN rails**
 - Dimensions (mm): 120x210x1410
 - base plate dimensions (mm) 245x345
 - IP54
 - IK10
 - Design according EN 61439-7
 - Pricing available



6AGC082326	TAC rectangular pedestal
------------	--------------------------

Basic Pedestal Single

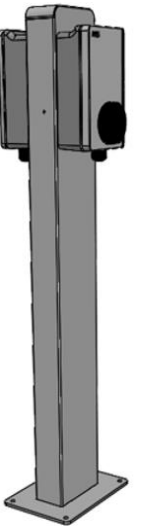
- Basic product
 - Indoor and outdoor
 - Single charger install
 - IK10
 - Profile + height dimensions (mm) 100x200x1403.
 - base plate dimensions (mm) 245x345
 - Pricing available



6AGC085345	TAC pedestal single
------------	---------------------

Basic Pedestal Back-to-Back

- Basic product
 - Indoor and outdoor
 - 2 chargers install
 - IK10
 - Profile + height dimensions (mm) 100x200x1403.
 - base plate dimensions (mm) 245x345
 - Pricing available



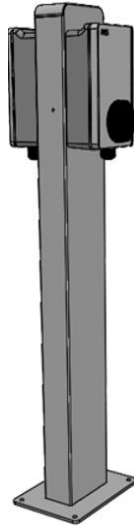
6AGC085684	TAC pedestal back-to-back
------------	---------------------------

Pedestal Solutions

Update

Basic Pedestal Back-to-Back

- Basic product
 - Indoor and outdoor
 - 2 chargers install
 - IK10
 - Profile + height dimensions (mm)
100x200x1403.
 - base plate dimensions (mm)
245x345
 - Pricing available



6AGC085684

TAC pedestal back-to-back



Mid November available

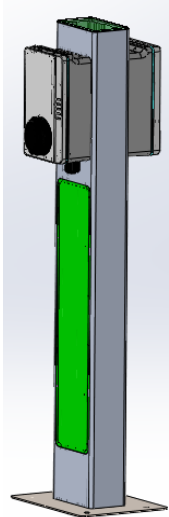


Pedestal Solutions

Update

Metal Pedestal

- High end product
 - Indoor and outdoor
 - 2 chargers back to back install
 - Power daisy chain
 - **DIN rail capability 5 DIN rails**
 - Dimensions (mm): 120x210x1410
 - base plate dimensions (mm) 245x345
 - IP54
 - IK10
 - Design according EN 61439-7
 - Pricing available

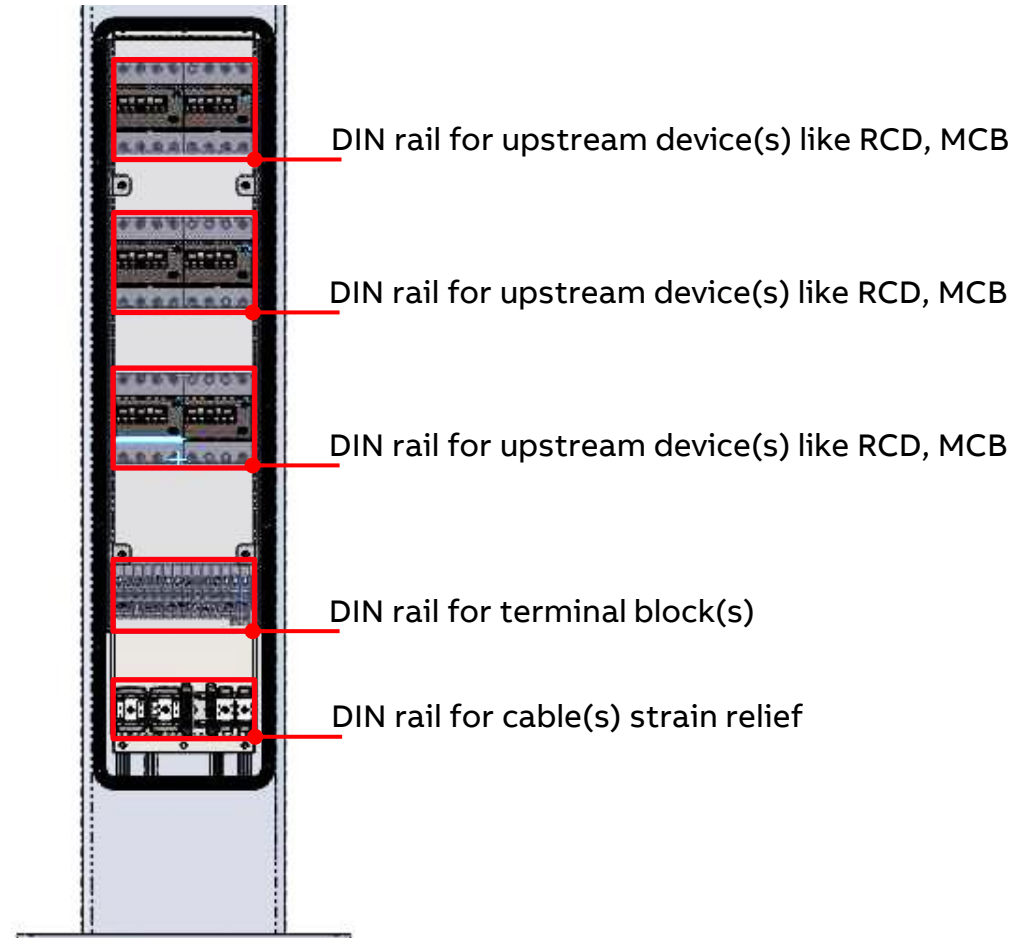


6AGC082326	TAC rectangular pedestal
------------	--------------------------



Available Dec 2020

View inside the pedestal.



DIN rail for upstream device(s) like RCD, MCB

DIN rail for upstream device(s) like RCD, MCB

DIN rail for upstream device(s) like RCD, MCB

DIN rail for terminal block(s)

DIN rail for cable(s) strain relief